

MTS 1-PHASE SAFETY TRANSFORMER

P: 63VA IN: 230/400VAC OUT: 24VAC

Single-phase safety transformer
 63 VA
 Spring clamp terminals
 Isolation class T 40/B
 Other voltages on request.

Illustration

Product may differ from Image

Approvals**Input**

Input voltage	230/400 V AC
Frequency	50...60 Hz
Input current	0.35 A (230 V AC); 0.2 A (400 V AC)
Inrush current	2 A (230 V AC); 1.15 A (400 V AC)
Short-circuit current	2.95 A (230 V AC); 0.1 A (400 V AC)

Output

Output voltage	24 V AC (SELV)
Output rating	63 VA

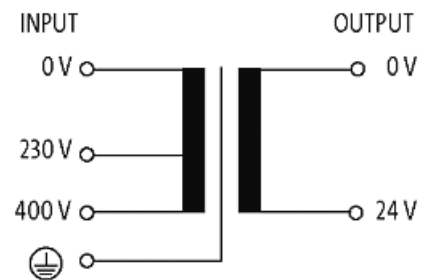
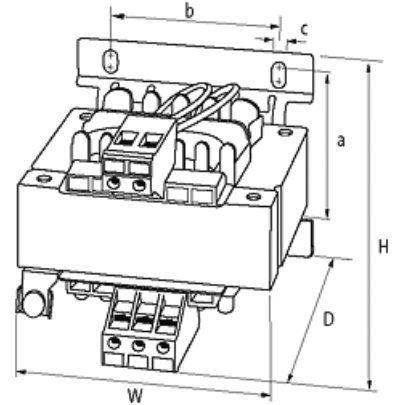
General data

Test isolation voltage	4 kV (prim./sec.)
Mounting method	Long-hole mounting or DIN-rail mountable TH35 (EN 60715)
Temperature range	-20...+40 °C (storage temperature -40...+80 °C)
Dimensions H×W×D	79×78×93 mm
Fixing centers a×b×c	56×56×4.8 mm
Drill hole Ø	4.8×8.4 mm

Commercial data

country of origin	CZ
-------------------	----

customs tariff number	85043180
EAN	4048879066112
eClass	27031302
Packaging unit	1

Sketch

Product may differ from Image